

MICHAELANASTASSIADES

INSTALLATION INSTRUCTIONS



IN BETWEEN, 2019

PRODUCT SPECIFICATIONS

Integrated LED 30W 24V
Provided with 2500mm cord set and
dimmer switch.
Product weight: 15kg

BEFORE INSTALLING

Please keep these instructions for future reference.

Please read instructions in full, noting illustrations, prior to installation and follow exactly.

The fitting is for use in a normal dry domestic indoor environment.

If you are in any doubt, consult a qualified electrician to install the fitting.

Ensure the circuit, to which the fitting is to be connected, has been installed and fused in accordance to national installation requirements.

Modifying any part of the light will void the products warranty.

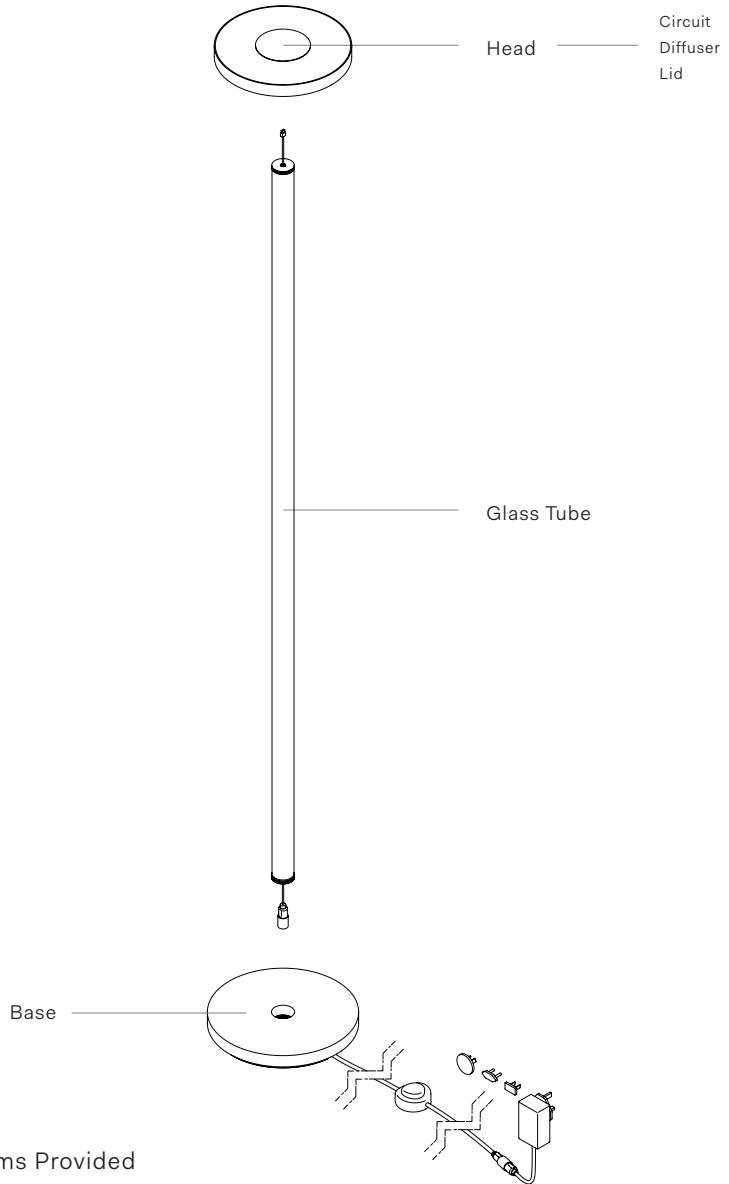
Michael Anastassiades accepts no liability for incorrect use of the mentioned object.

CLEANING INSTRUCTIONS

Before cleaning, lighting fixtures must be turned off and unplugged from mains electricity. Whilst cleaning please take care and use the gloves provided.

Chrome Plated Aluminium: Use a lightly damp soft dust cloth and gently go over marks until clean. Dry it afterwards with a soft dust cloth. Make sure the product is completely dry before switching the electricity on.

Parts Supplied



Additional Items Provided

- Pair of Gloves
- Spare Kit Bag

Fig. 1

Whilst installing the fixture please take care and use the gloves provided.

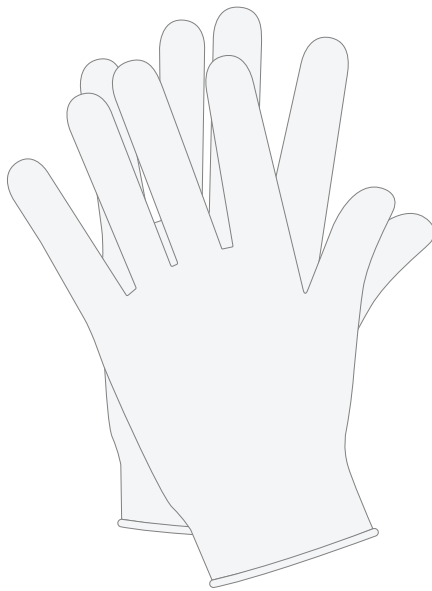


Fig. 2

This procedure requires a minimum of 2 people.

Ensure that adequate protection is placed beforehand so not to damage lamp or floor

Gently rest the base on the crate of the Glass Tube (A). Take the Glass Tube (A) and feed the large connector through central the hole on the Base (B).

Lift the Base (B) at an angle to facilitate this procedure. Screw the Glass Tube (A) gently, making sure to leave the connector (C) free to rotate.

For further information please read NEXT PAGE.

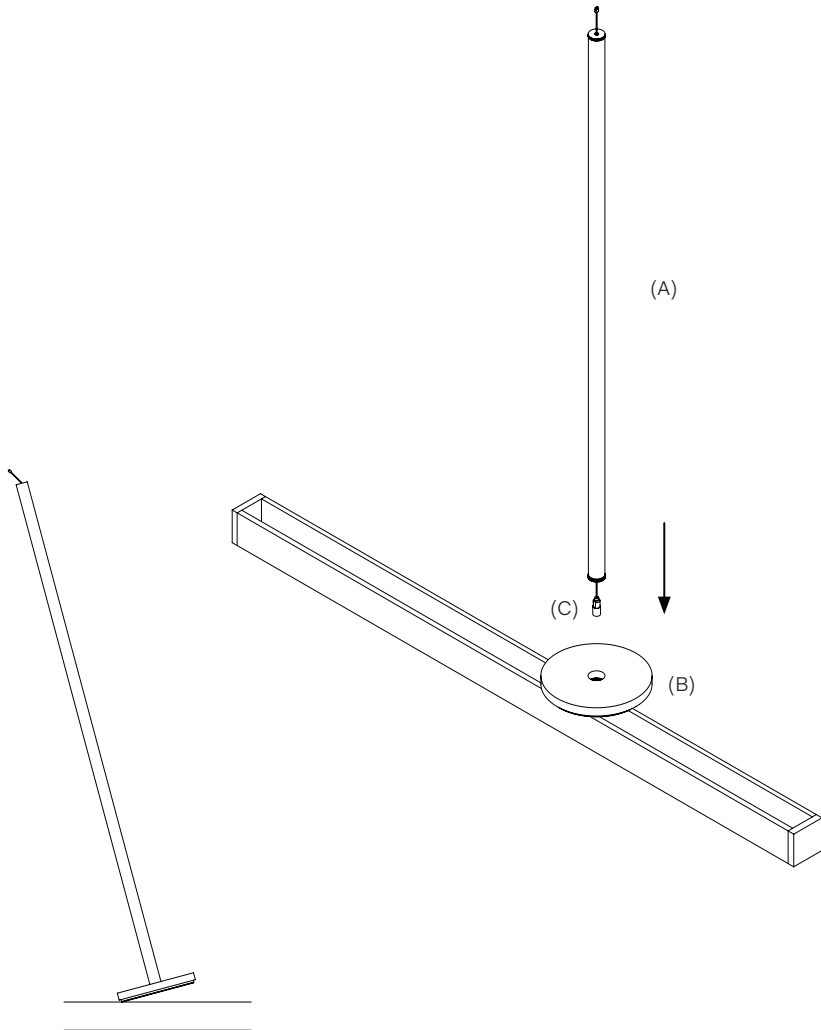


Fig. 3

- 1 Feed the Connector (C) through the central hole of the Base (B) and screw the Glass Tube (A) to the Base (B).
- 2 With the Glass Tube (A) attached to the Base (B), connect the two cables.
- 3 Push and rotate to secure the Base Connector (D) with the Glass Tube Connector (C).
- 4 Attach the connectors to the base using the built in clip.

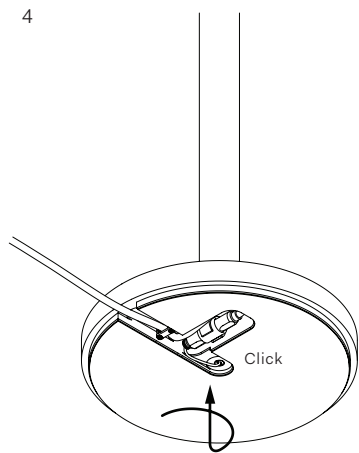
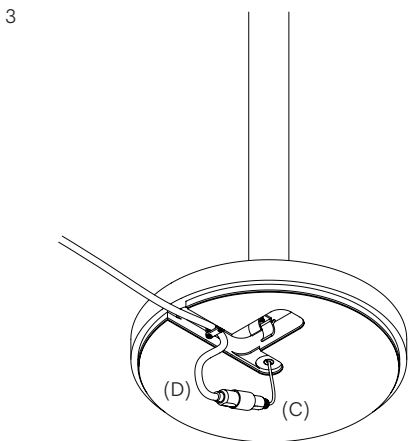
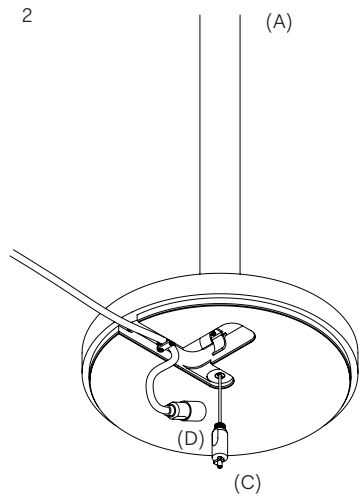
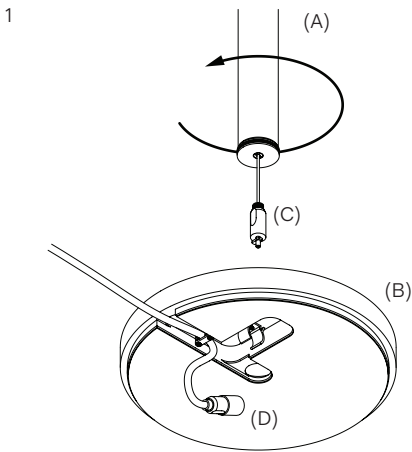


Fig. 4

- 1 Feed the Connector (E) through the central hole of the Head.
- 2 Screw the Head (A) on the Glass Tube (A) making sure to leave the connectors free to rotate.
- 3 Connect the LED Connector (G) with the Glass Tube connector (E).
- 4 Remove the protective film and position the acrylic diffuser (H) over the LED circuit. Place the central magnetic cap (I) on top.

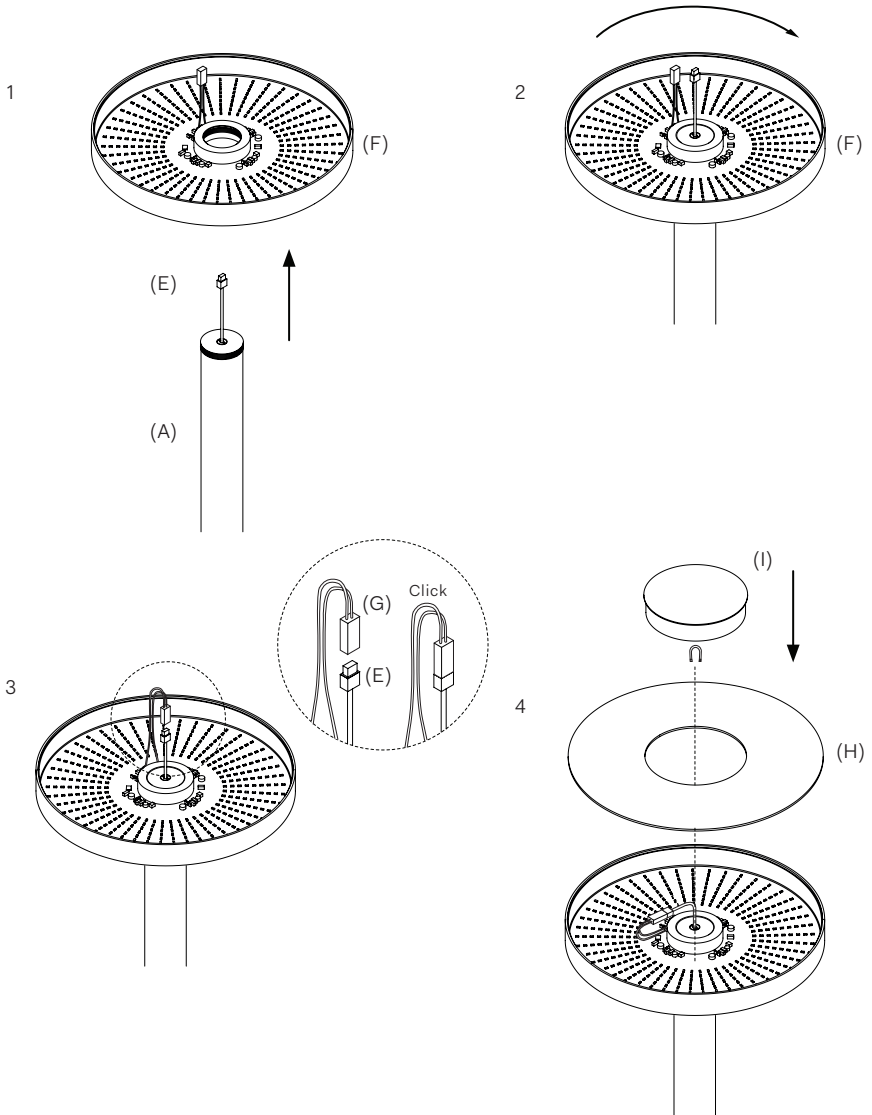
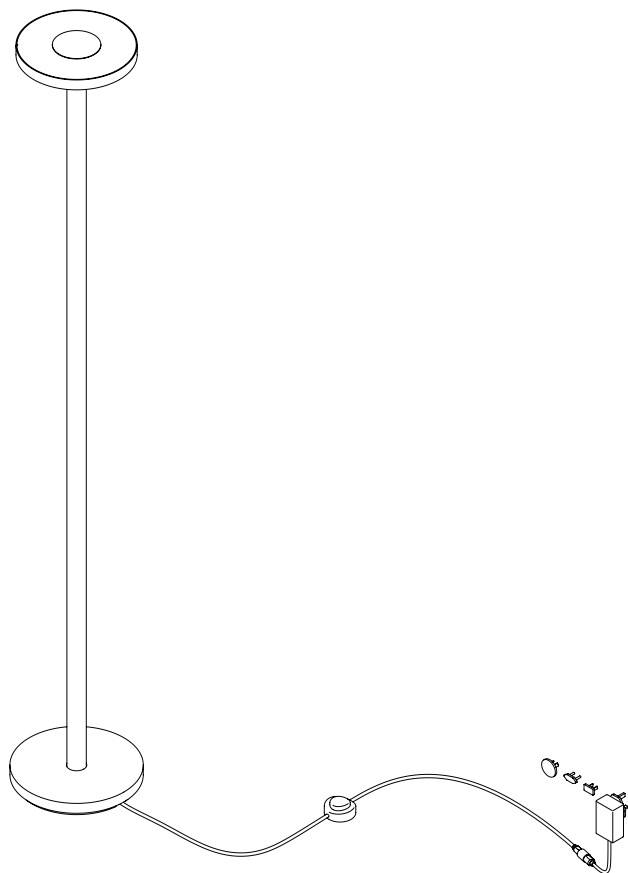


Fig. 5

Choose the plug according to your electrical supply and insert in to the inline low voltage transformer. To operate the lamp, use the inline foot dimmer as directed. Click inline dimmer quickly to turn the lamp on and off, sustained pressure can be used to dim the light output.



Michael Anastassiades' design philosophy is to preserve the inherent qualities of given materials. All of our products are handmade and come in natural finishes, exposed to the elements without any protective lacquers. We look at oxidisation as part of a process that adds to the patina of an object, increasing beauty with time. We try our best for all goods to leave our premises in pristine condition, but sometimes products may arrive with minor oxidisation marks.

Whilst every effort is made to ensure an accurate representation of product colours, finishes and dimensions, Michael Anastassiades Ltd reserves the right to alter these details without notice, in compliance with its own production needs, technological changes or in response to the current market needs. Colour swatches are for reference only; Michael Anastassiades Ltd cannot guarantee exact colour match for any product finishes.

All designs are protected under copyright law. Michael Anastassiades holds the exclusive manufacturing and distribution rights worldwide. Copying will be prosecuted.

All light fixtures in this catalogue have CE marking compliance.

Michael Anastassiades Ltd.
50 Rochester Place, London NW1 9JX
T +44 (0)20 7928 7527
sales@michaelanastassiades.com
www.michaelanastassiades.com
© 2021 Michael Anastassiades Ltd. All rights reserved.